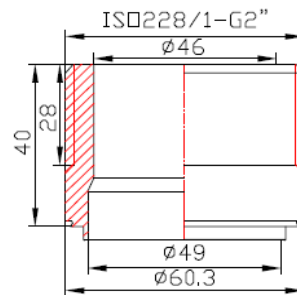
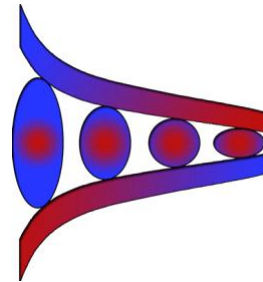


D1-D2-D3-D4
W520

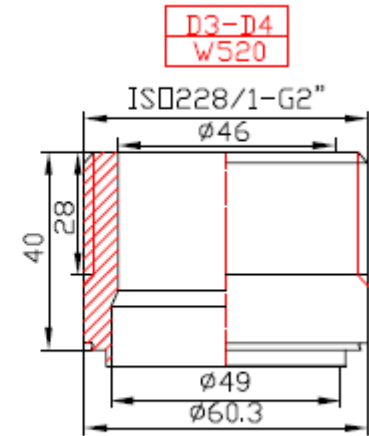
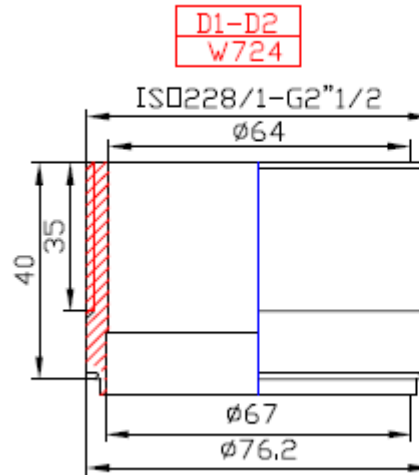
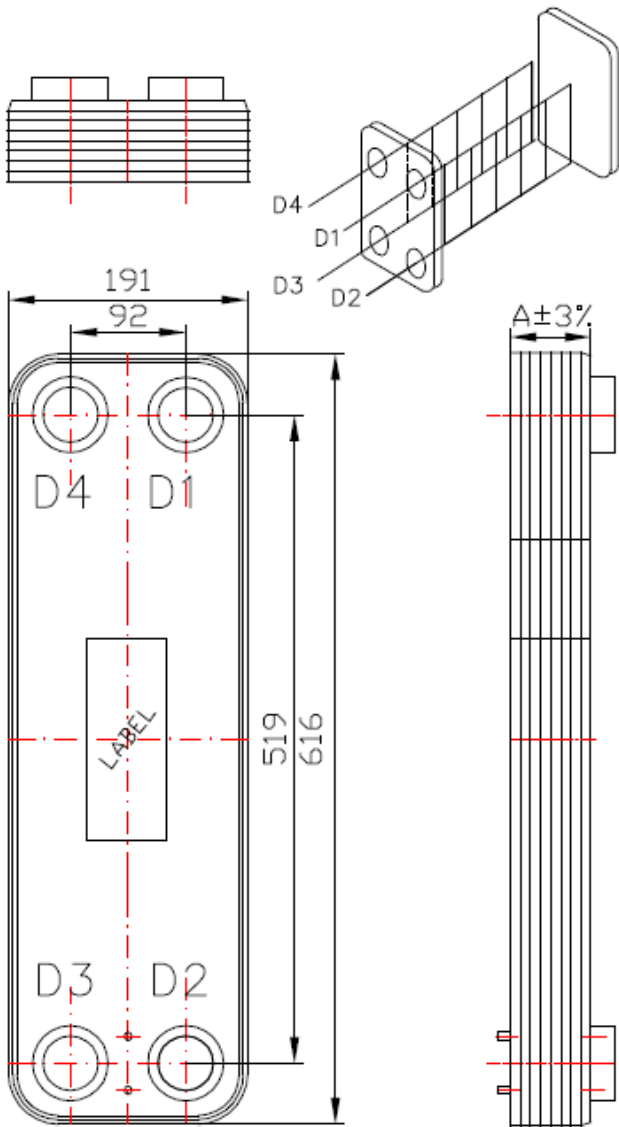


Modell	A [mm]	Fläche [m ²]
EWT-BL-95B x 10D	39	0,76
EWT-BL-95B x 20D	67	1,71
EWT-BL-95B x 30D	95	2,66
EWT-BL-95B x 40D	123	3,61
EWT-BL-95B x 50D	152	4,56
EWT-BL-95B x 60D	180	5,51
EWT-BL-95B x 70D	208	6,46
EWT-BL-95B x 80D	236	7,41
EWT-BL-95B x 90D	264	8,36
EWT-BL-95B x 100D	292	9,31
EWT-BL-95B x 110D	320	10,26
EWT-BL-95B x 120D	348	11,21
EWT-BL-95B x 130D	376	12,16
EWT-BL-95B x 140D	404	13,11
EWT-BL-95B x 150D	432	14,06

Max. Druck	3,0 MPa
Prüfdruck	4,5 MPa
Temp.	-160 °C - 225°C
Plattenmaterial	AISI 316L
Lot	99,9 % Cu

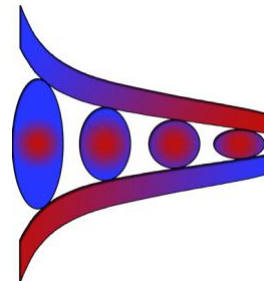


EWT-BL-95B



#	Modell	A
1	EWT-BL-95C x 60D	180
2	EWT-BL-95C x 90D	264
3	EWT-BL-95C x 150D	432

Max. Druck	3,0 MPa
Prüfdruck	4,5 MPa
Temp.	-160 °C - 225°C
Plattenmaterial	AISI 316L
Lot	99,9 % Cu



EWT-BL-95C